

**FOR GLASS DOOR CABINET & WOOD THICKNESS OF 4-12mm**  
 玻璃专用适用于柜门和4-12毫米厚的木板  
**SINGLE GLASS DOOR CABINET LOCK**  
 单玻璃门柜锁

PERSONAL / 私用 NO. **821-C01**  
 PUBLIC / 公用 NO. **822-C01**

**VS** VERSION / 款式

**VL** LEFT / 左



■ **821-VL-C01**  
 ■ **822-VL-C01**

**VR** RIGHT / 右



■ **821-VR-C01**  
 ■ **822-VR-C01**

**SPECIFICATIONS / 产品说明**

- KEYLESS OPERATION  
不需要钥匙来锁定和解锁
- 2-IN-1 SYSTEM, ONE SMART LOCK THAT FEATURES PERSONAL & PUBLIC FUNCTIONS  
突出私用和公用功能的二合一系统智能锁
- CODE SETTING WITHOUT TOOLS  
设置新密码不需要工具
- CODE FINDING FROM THE FRONT BY RECOVERY KEY  
恢复密码参考前面的代码
- PLASTIC HOUSING  
塑胶外壳
- 200 DIFFERENT KEY CHANGES FOR SERVICE CYLINDERS  
有200位数字密码可随意更改
- 10 GROUPS OF MASTER KEYS SYSTEM AVAILABLE  
10组主密匙

**A SET INCLUDES / 配套工具**

- 1 LOCK / 1 把锁
- 1 RECOVERY TOOL (FOR COMBI-PERSONAL ONLY)  
1 个密码恢复工具 (只针对私用)
- 1 RECOVERY KEY (FOR KEYED DIFFERENT ONLY, NOT SUPPLIED WITH KEYED ALIKE)  
1 份恢复密匙 (仅供不同锁使用, 不能共用)
- 1 FIXING PLATE (R359) / 1 块固定板 (R359)
- SPACER (QUANTITY DEPENDS ON GLASS THICKNESS, SEE **TN** GLASS THICKNESS TABLE)  
隔板 (数量取决于玻璃厚度, 看右侧表格中的玻璃厚度值)
- 2 FIXING PLATE SCREWS (I084) / 2 个固定板螺丝 (I084)
- 1 L-BRACKET (DK041) / 1 个L型固定支架 (DK041)
- 2 L-BRACKET SCREWS (I082) / 2 个L型固定支架螺丝 (I082)

**FN** FINISH / 颜色

- 66 WHITE / 白色
- 91 BLACK / 黑色

**PRODUCT CODE / 产品代码**

**821-M**\_\_-**VS**-**TN**-**FN**-**C**\_\_-**TD**

**822-M**\_\_-**VS**-**TN**-**FN**-**C**\_\_-**TD**

**ORDERING EXAMPLE & EXPLANATION**

**样品和说明**

■ **822-M1-VR-G-66-C01-J9Z**

COMBI-PUBLIC, GROUP 1 MASTER KEY SYSTEM, RIGHT VERSION, 4-6mm GLASS OR WOOD THICKNESS, WHITE FINISH, C01 CAM TYPE, 90° CLOCKWISE ROTARY CAM MOVEMENT.

公用-密码锁, 1组主密钥系统, 右款, 4-6毫米厚的玻璃或木板, 白色, C01款锁门, 90° 顺时针旋转锁的把手.

**KNOB OPTIONS / 把手选项**

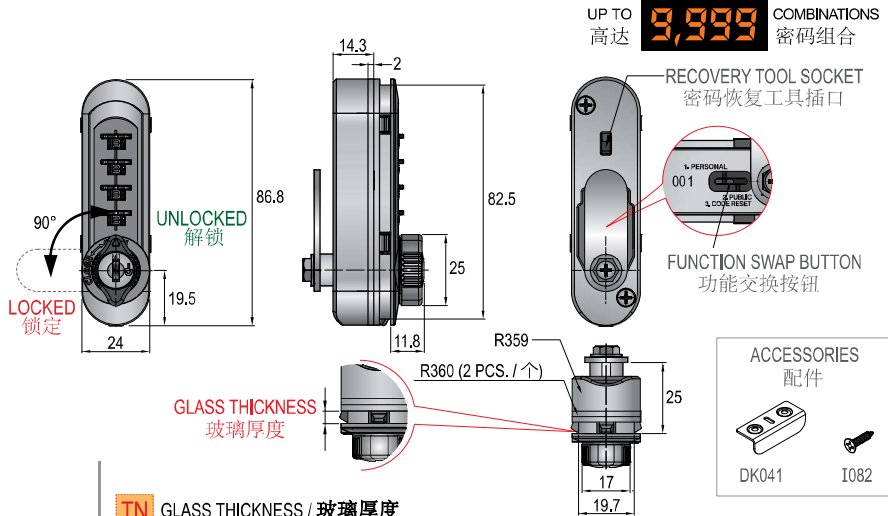
- R315



- R438



**NEW & IMPROVED DESIGN**  
全新的设计理念



**TN** GLASS THICKNESS / 玻璃厚度

CODE 代码	GLASS THICKNESS 玻璃厚度	FIXING PLATE 固定板	SPACER 隔板	FIXING PLATE SCREW 固定板螺丝钉
<b>G</b>	4-6mm	R359-91	R360-91 (2 PCS. / 个)	I084 (M3 x 19)
<b>H</b>	6-8mm	R359-91	R360-91 (1 PC. / 个)	I084 (M3 x 19)
<b>I</b>	8-12mm	R359-91	-	I084 (M3 x 19)

**TD** TURNING DIRECTION / 钥匙转动方向

**K3Z** LEFT VERSION 左款  
**K63** LEFT VERSION 左款

**J9Z** RIGHT VERSION 右款  
**J69** RIGHT VERSION 右款



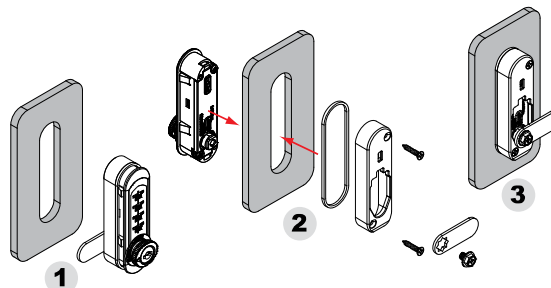
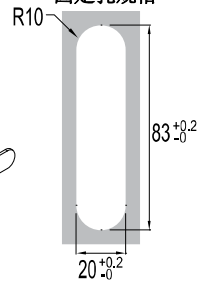
FROM LOCK TO UNLOCK POSITION  
从关到开位置

**J**: CLOCKWISE / 顺时针方向  
**K**: COUNTER-CLOCKWISE / 逆时针方向

**FIXING DETAILS / 安装细节**



**FIXING HOLE SIZE 固定孔规格**



ALL MEASUREMENTS : mm / 测量单位为毫米